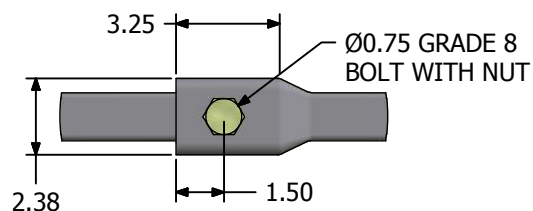
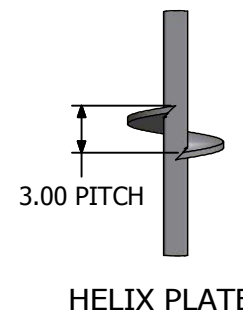
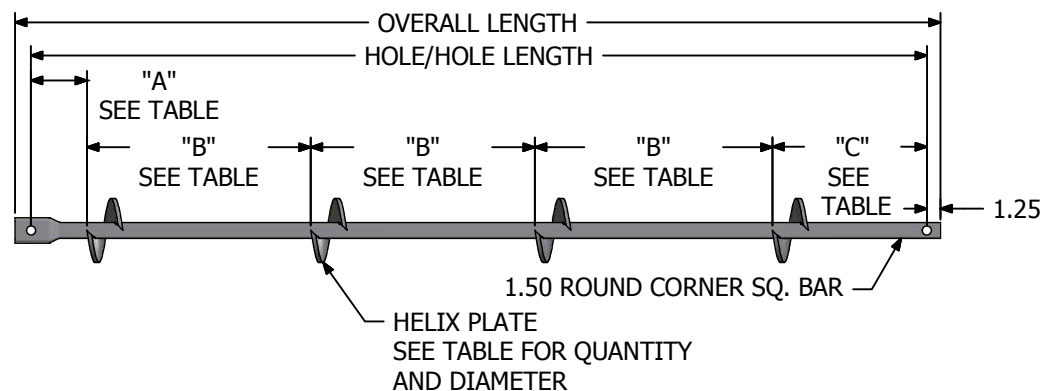


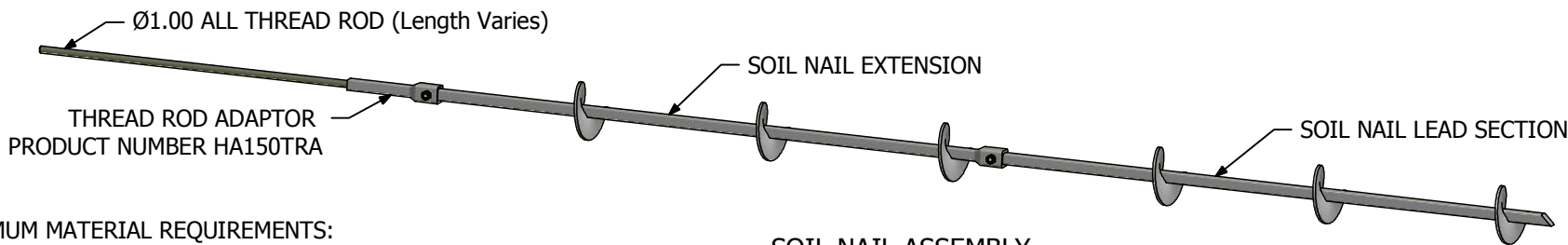
**HELICAL SOIL NAIL LEAD SECTIONS**



**COUPLING DETAIL**



**HELICAL SOIL NAIL EXTENSIONS**



**SOIL NAIL ASSEMBLY**

**NOTES:**

- MINIMUM MATERIAL REQUIREMENTS:  
SHAFT -  $F_y = 90$  ksi,  $F_u = 115$  ksi.  
HELIX PLATES - 3/8" THICK, ASTM A36  
ALL THREAD ROD -  $F_u = 120$  ksi
- ALL WELDING TO BE IN ACCORDANCE WITH AWS D1.1 LATEST ISSUE WITH E70-XX MIN ELECTRODE.
- HELIX PLATES HAVE A NOMINAL 3" PITCH WITH LEADING AND TRAILING EDGES BEING NO MORE THAN 1/4" OUT OF PARALLEL.
- PRODUCT ALSO OFFERED GALVANIZED.
- THIS DOCUMENT IS MEANT TO SERVE AS A GENERAL DESCRIPTION FOR THE PRODUCTS SHOWN FOR SUBMITTAL PURPOSES. MORE DETAILED MANUFACTURING DRAWINGS ARE AVAILABLE UPON REQUEST.

FOUNDATION  
**SUPPORTWORKS**®

12330 Cary Circle, Omaha, NE 68128  
Phone: 800-281-8545

All Dimensions Inches

Part #: Date: 10/17/11  
**SD-HS-11001**  
Title:  
HS150 Helical Soil Nail Assembly  
Revision: 0 Sheet: 1 of 2

### HS150 HELICAL SOIL NAIL LEAD SECTIONS

PRODUCT NUMBER	TYP. STOCK ITEM	SHAFT LENGTH ±0.13	"A" DIM ±0.13	"B" DIM ±0.13	"C" DIM ±0.13	QTY. OF HELIX PLATES	HELIX PLATE DIAMETER
HS150L5H6-3836		60.00	4.00	21.00	12.75	3	6.00
HS150L7H6-3836		84.00	4.00	21.00	15.75	4	6.00
HS150L5H8-3836		60.00	5.00	27.00	26.75	2	8.00
HS150L7H8-3836	✓	84.00	5.00	27.00	23.75	3	8.00

### HS150 HELICAL SOIL NAIL EXTENSIONS

PRODUCT NUMBER	TYP. STOCK ITEM	OVERALL LENGTH ±0.13	HOLE/HOLE LENGTH ±0.13	"A" DIM ±0.13	"B" DIM ±0.13	"C" DIM ±0.13	QTY. OF HELIX PLATES	HELIX PLATE DIAMETER
HS150E3H6-3836		38.75	36.00	5.25	21.00	9.75	2	6.00
HS150E5H6-3836		62.75	60.00	5.25	21.00	12.75	3	6.00
HS150E7H6-3836		86.75	84.00	5.25	21.00	15.75	4	6.00
HS150E3H8-3836		38.75	36.00	6.25	-	29.75	1	8.00
HS150E5H8-3836		62.75	60.00	6.25	27.00	26.75	2	8.00
HS150E7H8-3836	✓	86.75	84.00	6.25	27.00	23.75	3	8.00



12330 Cary Circle, Omaha, NE 68128  
Phone: 800-281-8545

All Dimensions Inches

Part #:

Date: 10/17/11

**SD-HS-11001**

Title:

HS150 Helical Soil Nail Assembly

Revision: 0

Sheet: 2 of 2