

HARMAN®

BUILT TO A STANDARD, NOT A PRICE

ACCENTRA 52i
PELLET INSERT



BUILT TO A STANDARD NOT A PRICE

NEW Sealed hopper holds up to 64.5 lbs.

NEW Dual 134 CFM blowers for quieter operation

NEW Flame-reactive mirrored glass

Control panel behind hinged left door



Large hopper opening for easy loading



Optional ceramic log set

Large, clean viewing area

Cover/Above: Accentra 52i shown in optional majolica brown porcelain and ceramic log set.

Nautical medallion



ACCENTRA 52i PELLET INSERT

The Best Just Got Better. The Accentra 52i is the latest, upgraded edition of the best-selling Accentra insert. PelletPro™ Technology and 85% efficiency provide powerful, even heat within 1 degree and maximum output from any grade of pellet. This saves on costs and easily heats a larger space. A reengineered design provides even easier operation and maintenance—**for up to 50% less cleaning time than any other pellet appliance available.**

Upgrade any existing fireplace opening. Even heat, easy maintenance and distinctive features make the Accentra 52i a premium heating solution that is “Built to a standard, not a price.”





Accentra 52i shown in majolica brown porcelain.



Accentra 52i shown in black with ceramic log set.

FEATURES & OPTIONS

Distinctive features offer convenience, safety and style. Just fill the hopper, set the desired temperature, and relax.

Features

- 52,000 BTUs — heats 900 to 2,600 square feet¹
- Up to 64.5 lb hopper capacity
- 85% efficiency
- Automatic ignition and temperature control
- Exclusive door air wash system
- Dual 134 CFM blowers
- Flame-reactive mirrored glass
- Concealed ash pan

Options

- Choice of black or majolica brown porcelain
- Ceramic log set
- Outside air kit
- 3" vent pipe
- Zero-clearance housing
- Harman Service Rail Kit

EXCLUSIVE TECHNOLOGIES

PelletPro™ System

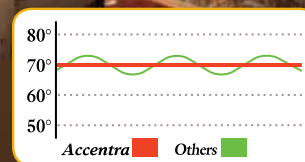
The patented PelletPro system makes it possible to burn any grade of pellet fuel with maximum heat and efficiency. A bottom-up feeding system burns each pellet completely and allows for 24-hour heating.

Scan with your smartphone to learn more about the PelletPro System, or visit HarmanStoves.com.



ESP Temperature Control

Harman pellet inserts utilize an advanced Exhaust Sensing Probe (ESP) system to deliver precision heating control. ESP constantly monitors and adjusts heat output to maintain set room temperatures within 1 degree.



ESP temperature control helps maintain a consistent room temperature, saving you fuel and money.

Scan with your smartphone to learn more about ESP Temperature Control, or visit HarmanStoves.com.

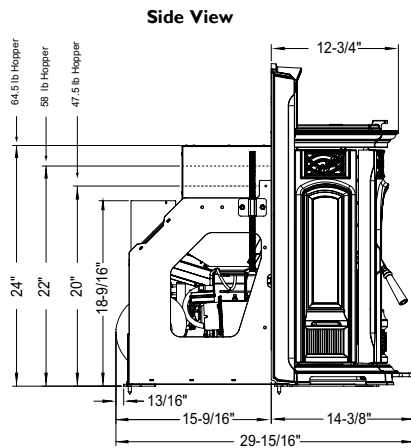
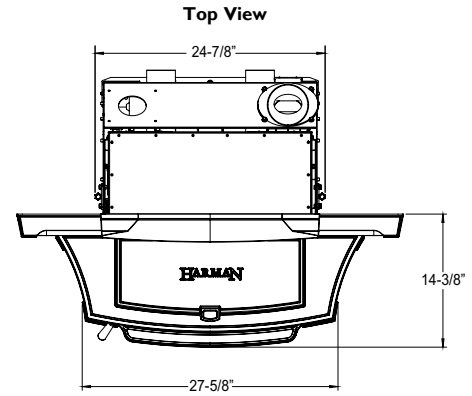
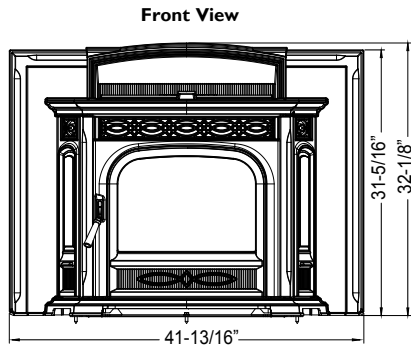


An optional service rail kit makes it easy to install and perform maintenance.

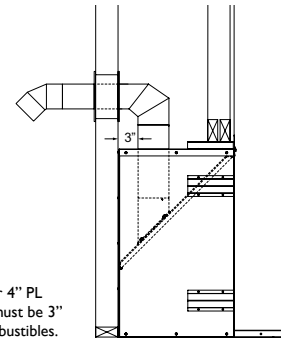
SPECIFICATIONS

ACCENTRA 52i PELLET INSERT	BTU/hr Input	Heating Capacity ¹	Hopper Capacity	Efficiency	Fuel Type	Blower Size	Electrical	Weight	Height	Width	Depth	Venting Size	Feed Rate
	0 - 52,000	900 - 2,600 sq. ft.	20" fireplace opening: 47.5lb 22" fireplace opening: 58lb 24" fireplace opening: 64.5lb	85%	Wood pellets or 50/50 corn/pellet mixture	(2) 134 CFM	624 watts	450 lbs. with surround	32-1/8"	41-13/16"	29-15/16"	4" PL pellet vent pipe standard, 3" PL pellet vent pipe option	1 lb/hr min. 6.05 lbs/hr max.

Dimensions



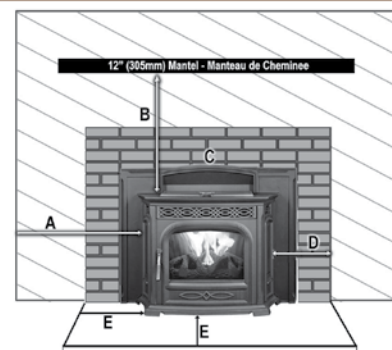
Zero Clearance Side View



When using 3" or 4" PL vent pipe, there must be 3" clearance to combustibles.

Clearances to Combustibles

A	B	C	D	E
Unit to Sidewall	Unit top to mantel	Cast surround to 3/4" trim	Cast surround to 3/4" trim	Floor Protector: Spark and Ember Protection only, no required R value
12"	12"	0"	6"	6" (from glass)



YOUR HARMAN DEALER IS:



PHONE: 800-664-3119

WWW.HARMANSTOVES.COM

- facebook.com/HarmanStoves
- twitter.com/HarmanStoves
- youtube.com/HarmanStoves

LIMITED LIFETIME WARRANTY²

The strongest in the industry, Harman provides a limited lifetime warranty on most important aspects: firebox and heat exchanger.

¹: See your local authorized Harman dealer for help in determining the product that best suits your heating needs based on climate and home efficiency.

²: For full warranty details, visit www.harmanstoves.com

Actual product appearance, including flame, may differ from image. Tested to: UL-C5628-93 and ASTM E1509-12. Product specifications and pricing subject to change without notice. The images and descriptions in this brochure are provided to assist you in product selection only. Fuel density and pellet shape may affect hopper capacity. BTU's may vary depending on type of fuel used. Refer to installation manual for complete clearance requirements and specifications. Fireplace, stove and insert surfaces get extremely HOT and can cause severe burns if touched. Keep a safe distance away. To learn more visit www.harmanstoves.com/fireplacesafety