

# HARMAN®

BUILT TO A STANDARD, NOT A PRICE



ACCENTRA  
PELLET STOVE



# BUILT TO A STANDARD NOT A PRICE

Variable-speed  
blower

Large, clean  
viewing area

Dual-point  
latching handle

Optional battery backup

Sealed hopper holds up to  
50 pounds of pellets

Nautical medallion



Large, easy-access  
ash pan

Optional leg kit

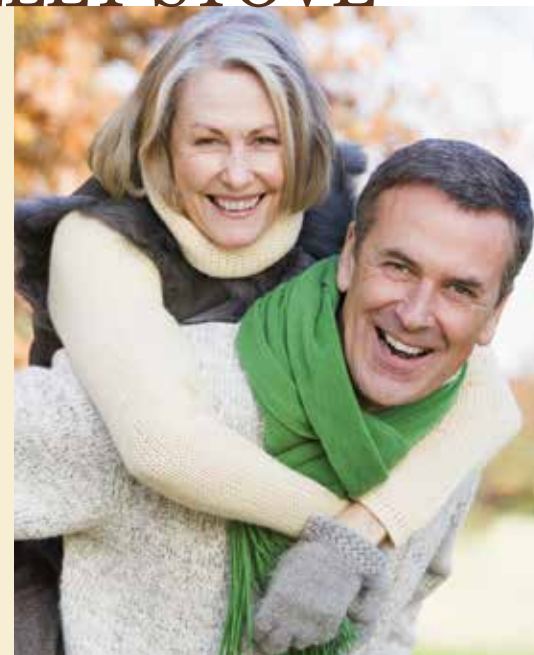
Can be used in conjunction with the cast floor  
protector and floor protector cover.



## ACCENTRA PELLET STOVE

This high-efficiency pellet stove uses Harman PelletPro™ and ESP technology to burn any grade of pellet with even heat and precision control. Basic maintenance can also be performed without shutting down the unit—for continuous even heat. Traditional cast iron craftsmanship and clean lines compliment multiple décor styles.

Upgrade any space. Even heat, distinctive features and easy maintenance make the Accentra a practical heating solution “Built to a standard, not a price.”





Accentra shown in black with cast iron hearth pad



Accentra shown in porcelain majolica brown with cast iron hearth pad

## FEATURES & OPTIONS

Distinctive features offer convenience, safety and style. Just fill the hopper, set the desired temperature, and relax.

### Features

- 40,000 BTU/Hour Input—heats 900 to 2,400 square feet<sup>1</sup>
- 50lb. hopper capacity
- 82% efficiency
- Automatic ignition and temperature control
- Quiet, variable speed blower
- Exclusive door air wash system
- Heat-reactive mirrored glass
- Large ash pan
- Tinted glass hopper lid
- Room sensor

### Options

- Porcelain majolica brown enamel finish
- Outside air kit
- Direct vent wall pass-through
- Cast iron hearth pad (available in black only)
- Leg kit<sup>2</sup> (available in black only)
- Battery backup

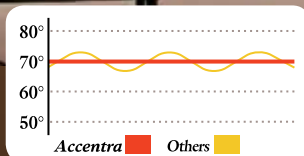
## PelletPro™ System

The patented PelletPro system makes it possible to burn any grade of pellet fuel with maximum heat and efficiency. A bottom-up feeding system burns each pellet completely and allows for 24-hour heating.

To learn more about the PelletPro System, visit [HarmanStoves.com](http://HarmanStoves.com).

## ESP Temperature Control

Harman pellet stoves utilize an advanced Exhaust Sensing Probe (ESP) system to deliver precision heating control. ESP constantly monitors and adjusts heat output to maintain set room temperatures within 1 degree.



ESP temperature control helps maintain a consistent room temperature.

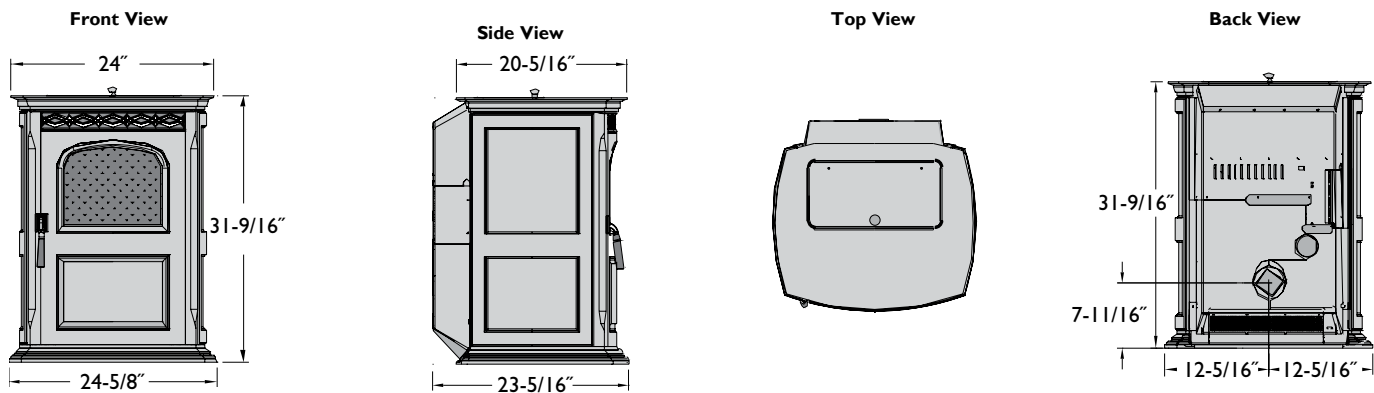
To learn more about ESP Temperature Control, visit [HarmanStoves.com](http://HarmanStoves.com).



# SPECIFICATIONS

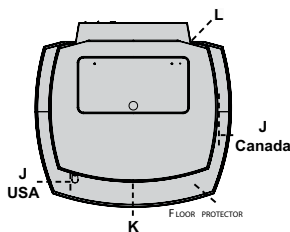
ACCENTRA PELLET STOVE	BTU/Hour Input	Hopper Capacity	Fuel Type	Blower Size	Heating Capacity <sup>1</sup>	Fuse Rating	Weight	Height	Width	Depth	Venting Size	Feed Rate
	0 to 40,000	50 lbs.	Wood Pellets*	175 CFM	900 - 2,000 sq. ft.	5 amp	370 lbs.	31.5"	24.6"	23.2"	3" pellet vent pipe	0.75 lbs./hr Min. 4.75 lbs./hr Max.

## Dimensions



## Floor Protection

Floor Protection		US	Canada
J	Sides	6"	200mm
K	Front	6"	450mm
L	Rear	0"	200mm



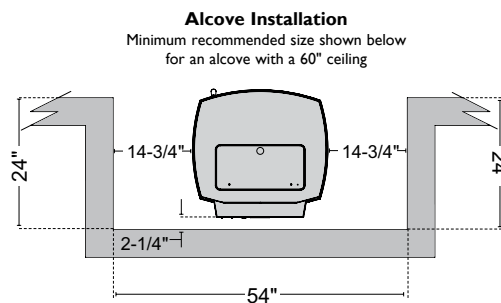
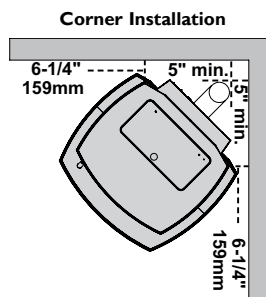
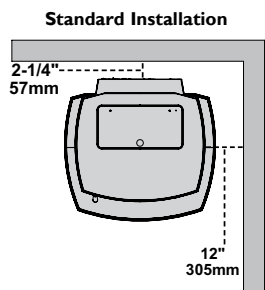
**NOTE:** Measurement "K" is measured from the glass in the US only

Harman Cast Iron Floor Protector size:  
24-1/16" [611] x 28-5/8" [727]

Minimum hearth pad size:  
24-1/16" [611] x 28-5/8" [727]

## Clearances to Combustibles

Rear	Side	Front	Top (Measured from floor)
2.25" [57]	12" [305]	6" [159]	60" [152]



\*All Harman pellet stoves can also burn a 50/50% mix of pellets and corn.

YOUR HARMAN DEALER IS:

**HARMAN**  
BUILT TO A STANDARD, NOT A PRICE

PHONE: 800-664-3119  
WWW.HARMANSTOVES.COM

facebook.com/HarmanStoves  
twitter.com/HarmanStoves  
youtube.com/HarmanStoves

### LIMITED LIFETIME WARRANTY<sup>3</sup>

The strongest in the industry, Harman provides a limited lifetime warranty on most important aspects: firebox and heat exchanger.

<sup>1</sup> See your local authorized Harman dealer for help in determining the product that best suits your heating needs based on climate and home efficiency.

<sup>2</sup> Can be used in conjunction with the cast floor protector. If using with the cast floor protector, a floor protector cover is also needed as the legs allow viewing underneath the stove.

<sup>3</sup> For full warranty details, visit [www.harmanstoves.com](http://www.harmanstoves.com)

Actual product appearance, including flame, may differ from image. Tested by QMM-Test Laboratories: ASTM E 1509-04, ULC/ORDC 1482-M1990, ULC-S627-00. Mobile Home approved. This appliance is approved for installation into a shop. Product specifications and pricing subject to change without notice. The images and descriptions in this brochure are provided to assist you in product selection only. Fuel density and pellet shape may affect hopper capacity. BTU/Hour Input may vary depending on type of fuel used. Refer to installation manual for complete clearance requirements and specifications. Fireplace, stove and insert surfaces get extremely HOT and can cause severe burns if touched. Keep a safe distance away. To learn more visit [www.harmanstoves.com/fireplacesafety](http://www.harmanstoves.com/fireplacesafety)

HAR-1102U-1014